

Derailers

31kg - 41kg Rail

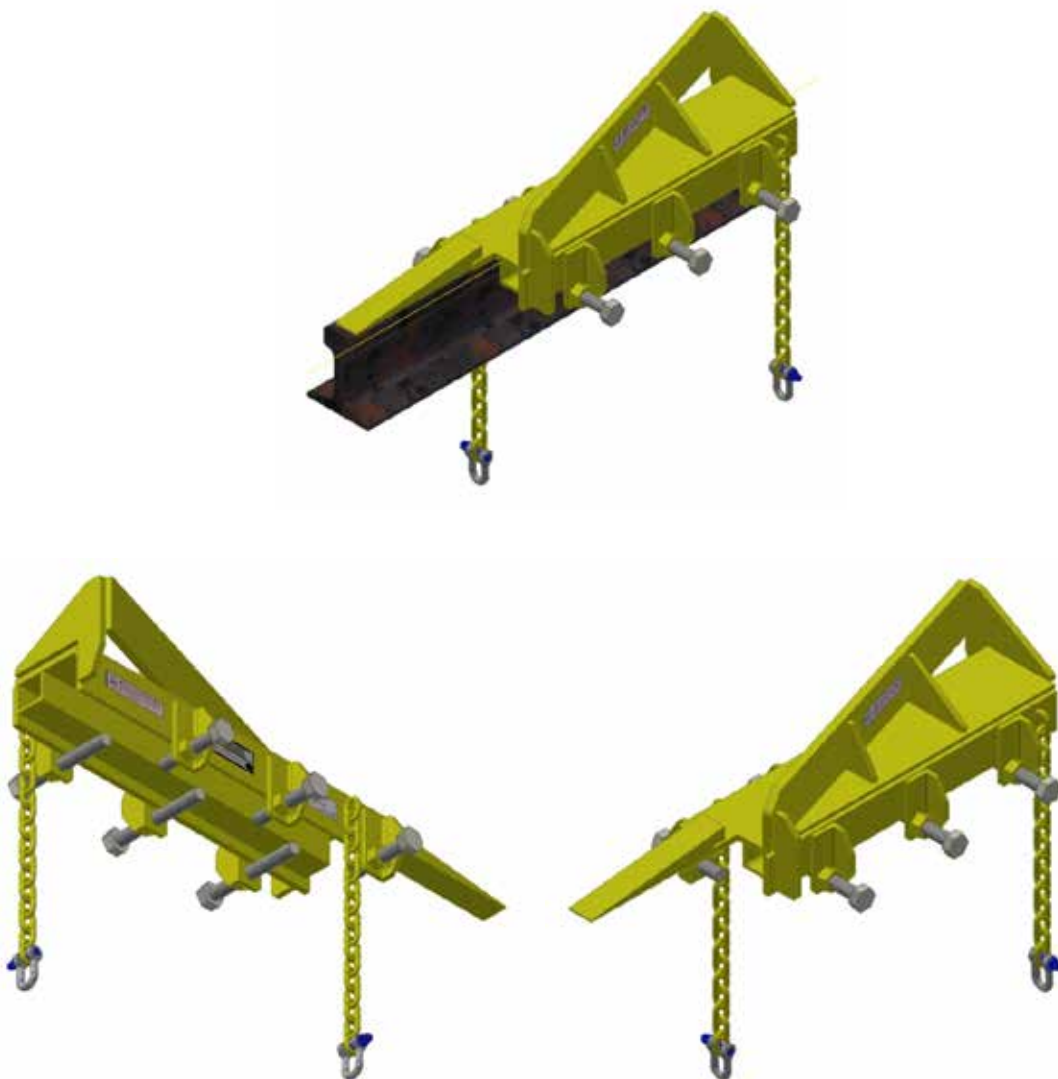
Left hand throw Part No. **1121360**

Right hand throw Part No. **1121361**

47kg - 60kg Rail

Left hand throw Part No. **1120901**

Right hand throw Part No. **1120464**



Drills

Rotabroach Rail Drill – Petrol (4 Stoke)

Rotabroach Rail Drill Package includes:

- Rail Drill
- Coolant Bottle
- 5x 32mm Tungsten Carbide Tipped Cutters
- 2x Height Templates 41-47kg/m & 53-60kg/m
- 2x Hole Centre Locators 41-47kg/m & 53-60kg/m
- Lightweight Carry Case
- Quick Release Clamp
- Bonding drill bit adaptor available



Part No. FP-112-RDPK-QC



- ✓ Complete with lightweight carrying case & coolant pump
- ✓ Highly portable with low noise level (average noise level during cutting at operator's ear position is 81 dBA)
- ✓ Robust and reliable

Specifications

Model Number	RD074 / RD074HSQ
Motor type	Honda 4 stroke
Displacement	49 / 51
Maximum hole cutting capacity	36mm dia
No load speed	167rpm / 660rpm
Overall dimensions	Height 420mm Width 420mm Exc. bottle Length 540mm
Net weight	18.5kgs
Spindle bore	19.05 (3/4")
Throttle activation	Automatic with feed
Safety features	Clutch fitted

Rotabroach Rail Drill – Electric



Part No. FP-112-RDPK-E4160

Part No. FP-112-RDPK-E68

Rotabroach Rail Drill Package includes:

- Rail Drill
- Coolant Bottle
- 5x 32mm Tungsten Carbide Tipped Cutters
- Height Templates to suit
- Hole Centre Locator and base to suit
- Lightweight Carry Case
- Quick Release Clamp
- Bonding Drill bit adaptor available



- ✓ Complete with lightweight carrying case & coolant pump
- ✓ Highly portable with low noise level (average noise level during cutting at operator's ear position is 89 dBA)
- ✓ Robust and reliable

Specifications

Model Number	CM/127/1 / CM/127/3
Motor type	110V full load 11amps 1100 W 230V full load 5amps 1100W
Displacement	49 / 51
Maximum hole cutting capacity	40mm dia
No load speed	350 - 600rpm
Overall dimensions	Height 265mm Width 180mm Exc. bottle Length 510mm
Net weight	16.2kgs
Spindle bore	19.05 (3/4")
Safety features	Clutch and electronic overload

Rotabroach Rail Drill – Petrol (2 Stroke)



Rotabroach Rail Drill Package includes:

- Rail Drill
- Coolant Bottle
- 5x 32mm Tungsten Carbide Tipped Cutters
- Height Templates to suit
- Hole Centre Locator and base to suit
- Lightweight Carry Case
- Quick Release Clamp
- Bonding drill bit adaptor available

Part No. FP-112-RDPK-2S4160

Part No. FP-112-RDPK-2S68

Carry Case Part No. 1160383

- ✓ Complete with lightweight carrying case & coolant pump
- ✓ Highly portable with low noise level (average noise level during cutting at operator's ear position is 89 dBA)
- ✓ Robust and reliable

Specification

Model Number	RD07A
Motor type	Stihl 2 stroke
Displacement	34.4cc
Maximum hole cutting capacity	36mm dia
No load speed	200 RPM
Overall dimensions	Height 450mm Width 420mm Exc. bottle Length 540mm
Net weight	18.5kgs
Spindle bore	19.05 (3/4")
Throttle activation	Manual lever
Safety features	Clutch fitted

Rotabroach Rail Drill Accessories

Multi-form Templates



The Rotabroach system eliminates the need for individual templates saving time and expense. To move from one rail form to another, operators only have to release the centre screw, turn the template to the appropriate position and locate it on the dowels before re-tightening.

Part No's:

- 1121317** Height Template 30kg/m / **1120548** Height Template 31kg/m / **1120585** Height Template 50-60kg/m
1120988 Height Template 41.5kg/m / **1120386** Height Template 53-60kg/m / **1120387** Height Template 41-47kg/m
1120881 Height Template 68kg/m / **1120584** Height Template 50-53kg/m / **1120832** Height Template 73kg/m

Hole Centre Locators



To ensure that the holes are correctly distanced from centre to centre, a hole centre location unit is available which fits on top of the rail and can quickly be secured by tightening two handles. Recesses in the plate are designed to accommodate the machine as it is lowered into position. These features provide complete accuracy when working in difficult and low light conditions.

- Part No.: **1120389** 3 Hole Locator 41-47-53kg/m
1120399 3 Hole Locator 50-60-68kg/m
1120699 2 Hole Locator 50-60-68kg/m
1120915 Hole Centre Locator for Insulated Rail Joints 68kg/m plus base **1120916**

Quick Release Rail Clamp



Fitted to all our rail machines is our new quick release rail clamp system. To enable you to easily remove the rail machine from the rail with a single movement of the release handle. Will save time when drilling multiple holes.

Railway TCT & HSS Cutters- designed to cut even the toughest of rail

Available cutter sizes 18mm – 36mm Most common sizes listed below, Special sizes available on request
M42 Solid twist drills available 6-27.5mm – drilling depth 25mm

- Part No.: **1121105** Adaptor to take Bonding Drill 9/32" or 7.14mm
Part No.: **1120975** Adaptor to take the Twist Drill bit



Part No.	Ømm	Part No.	Ømm	Short Series		Long Series	
RCTCT2525	25	RCHSSC2525	25	Rotabroach Pilot Pins		Rotabroach Pilot Pins	
RCTCT2825	28	RCHSSC2825	28	Part No.	Range	Part No.	Range
RCTCT3025	30	RCHSSC3025	30	1120697	13-40mm	1120698	13-40mm
RTCT3225	32	RCHSSC3225	32				
1121112	15.8	(Special size)					

Lubricants



Description	Part No.
Coolant Concentrate 5L	1120685
Bio-Degradable Cutting Fluid 20L	1120941
Stick Lubricant	RCSTICKLUB

Rotabroach Magnetic Drilling Range

Ask us for more information on the complete range of Rotabroach drilling machines for all your needs and their accessories, proudly made in Sheffield England.



Element 30



Element 40



Adder



Falcon



Cobra



Scorpion



Lynx



Raven
Pneumatic Drilling Machine



Eagle
Pneumatic Drilling Machine



Gator
Hydraulic Drilling Machine

Stihl BT 45 Sleeper Drill

Lightweight, powerful wood boring drill, ideal for building or repairing docks and bulkheads, fences, outbuildings, retaining walls and other structures where electricity is not available.



Part No.
1540245

Specifications

Technical Data	
Model	BT 45 Drill
Displacement (cm ³)	27.2
Engine Power (kW)	0.75
Weight (kg)	4.8
Gear Speed 1 st (rpm)	910
Gear Speed 2 nd (rpm)	2,710
Gear Speed Reverse (rpm)	590
Fuel	Petrol

Features

- Dependable, powerful and lightweight Quad Power™, 2- cycle gasoline powered engine
- Primer bulb and throttle lock for easy starting
- Easy access air filter / Electronic ignition / Exclusive tool less fuel cap / Two-ringed piston
- Compact, streamlined ergonomic design makes it easy to operate
- Anti-vibration system for comfortable use
- Four function gearbox, with two forward speeds, neutral position as well as a reverse gear
- Keyless chuck accepts 1/2" drive bits up to 1" in diameter
- Friction clutch is designed to slip if bit stalls
- Balanced design with well-spaced handles

Tanaka Sleeper drill – TED270-RS

Sleeper Drill

Part No. 1540245



Technical Data	
Model	TED 270-RS
Displacement (cm ³)	27
Engine Power (kW)	1.1
Weight (kg)	5
Gear Speed 1 st (rpm)	0-450
Maximum Drill Bit	38mm
Keyed or Keyless chucks available with extension shaft	
Fuel	2 stroke Petrol

Options available: Extension Shaft 450mm OAL Part No. 1120236

Quick Change chuck Adaptor Part No. 1121121

Bonding Drill – FP-112-43

Specifications

Models

FP-112-43 Sidelock screwed holder

FP-112-KC Keyed Chuck 13mm

FP-112-NC Keyless Chuck 13mm

Engine Tanaka 2-Stroke

Displacement (cc) 27.0

Max hp (Kw) 1.5 (1.1)

Clutch System Centrifugal

Starter System Recoil – Smart Start – Electronic Ignition

Weight (Kg) 5.0 (excluding Carry Case)

9/32 Drill bits with Flats - DR9/32STCOB



New Drill Carry Cases



FP-112-43 - Updated Construction



New Kill Switch Position and Grip



Side Locking Drill Chuck



Handle Locking Pin



Sleeper Drill - Stihl BT130



Specifications

Engine Technical Data

Model	BT 130 Drill
Engine Power (Kw)	1.3
Weight (kg)	12.5
Fuel	2 Stroke Petrol
Drilling Speed (Max)	700 rpm
Maximum Drill Bit	38mm (Softwood)

Sleeper Drill (Speed Borer)



The unit has easy to change drill guides and bits, easy to adjust depth stops/apply lever assisted hand feed/ and drill depth stop.

One of the necessities of a good drill is the ease in setting up the drill. The FP-155 Track Pack head has full angle tilt in all directions via clamp on a ball mounting.

The FP-140 models are available in Honda petrol or Yanmar diesel, recoil or electric start with centrifugal clutch. Three Phase Electric version available on request

Track Pack Speed Borer available (see Track Pack section).

<i>Specifications & Models</i>	FP-140-AR	FP-140-EW	FP-140-EY	FP-140-AS
Engine	Petrol	Petrol	Diesel	Diesel
Starter	Recoil	Electric	Electric	Recoil
Maximum Drill Spindle	1200 rpm	1200 rpm	1200 rpm	1200 rpm
Weight of Balance Beam	74kg	84kg	84kg	74kg
Weight of Rail Trolley	30kg (no Brakes)	30kg (no Brakes)	30kg (no Brakes)	30kg (no Brakes)
Approximate Time to Drill – all models	2-3 Seconds	Common	All	Models
Max Height LxWxH mm	1300 x 630 x 1400	Common	All	Models
Drill Feed Travel	230 mm	Common	All	Models

Grease Pump

Rail Grease Pump – FP-112-GP

Features

- Mounts to a 20L grease bucket
- 4 stroke petrol engine, recoil start
- Tare weight < 21.5 kg
- 3.8 L/min pumping capacity
- Includes clutch and pressure cut off
- Includes carry handle and support leg
- Fully guarded

Lid locking points



Part No. FP-112-GP

