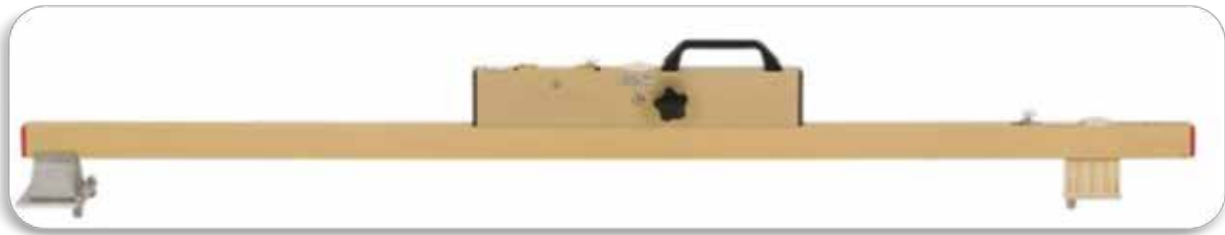


Track Gauges



Non-Collapsible Gauges Digital Gauges – Abtus

1000mm	Part No. 1120325	1067mm	Part No. 1121329-1067
1067mm	Part No. 1120327		
1435mm	Part No. 1120125	1435mm	Part No. 1121329-1435
1600mm	Part No. 1120324	1600mm	Part No. 1121329-1435

Each gauge has a track superelevation measuring device combined with track gauge measuring instrument and all gauges are supplied with calibration certificates.

Specifications

Measurement type and range	
Superelevation	-35mm to + 195mm
Track Gauge	-10mm to + 40mm
Reading Accuracy	1 graduation = 1mm
Weight	2.70kg

Features:

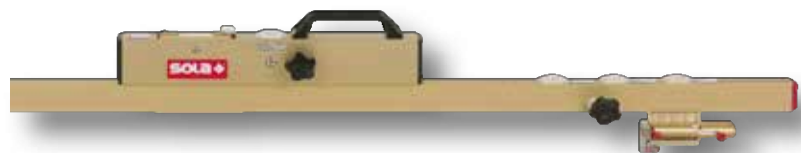
- Superelevation measuring device GWO 82
- Telescopic measuring of track gauge
- Insulation construction
- Incorporated measuring scale

Switch Gauges

1435 mm Part No. **1120908-1435**

1067 mm Part No. **1120908-1067**

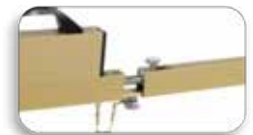
1600 mm Part No. **1120908-1600**



Collapsible Gauges

1435mm Part No. **1120461**

1600mm Part No. **1120462**

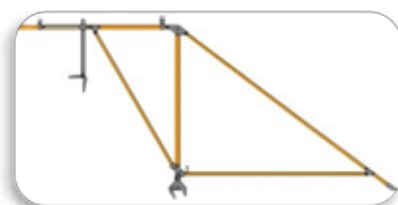


Platform Gauge ABT4050

Part No. **1120856-1435** **1435mm**

Part No. **1120856-1067** **1067mm**

Part No. **1120856-1600** **1600mm**



Track Jacks

Enerpac A-series – Mechanical Jacks



Specifications

Part Number	1120841	1120842	1120843
Model Number	02000	02025	02075
Series	A5	A8	A17
Cap. (ton)	15	15	15
Stroke	134 mm	197 mm	330 mm
Desc.	A5	A8	A17
Minimum Height Toe	51 mm	51 mm	51 mm
Minimum Height Cap	297 mm	397 mm	574 mm
Base Area	63.5 mm x 95.2mm	63.5 mm x 95.2mm	63.5 mm x 95.2mm
Max. Handle Effort/ton (kg)	15	15	15
Weight (kg)	13.6	16.8	22.7

Features

- Three lightweight, easy to carry models fit all track applications
- Solid cast base and large grooved toe for stable jacking
- Heat-treated, forged components for extra strength and longer life
- Rust-proof tension spring maintains full pawl engagement
- Operates with standard 1 1/2" Lever Bar, available as an accessory, 1.65 m long with square drive



Handle Part No. **1120634**

Enerpac Hydraulic Track Jacks

Features

- Exclusive overload protection from load shifts
- Solid cast base provides more surface contact area, and a large grooved toe provides stable jacking
- Inverted hard chrome piston design keeps water and dirt out, extending the life of the jack
- Low handle effort allows one-man operation for lifting heavy loads
- Anti-kickback design reduces risk of injury to operator if load is inadvertently released
- All models can lift from toe or cap, ideal for spreading and jacking applications



TJ109LS

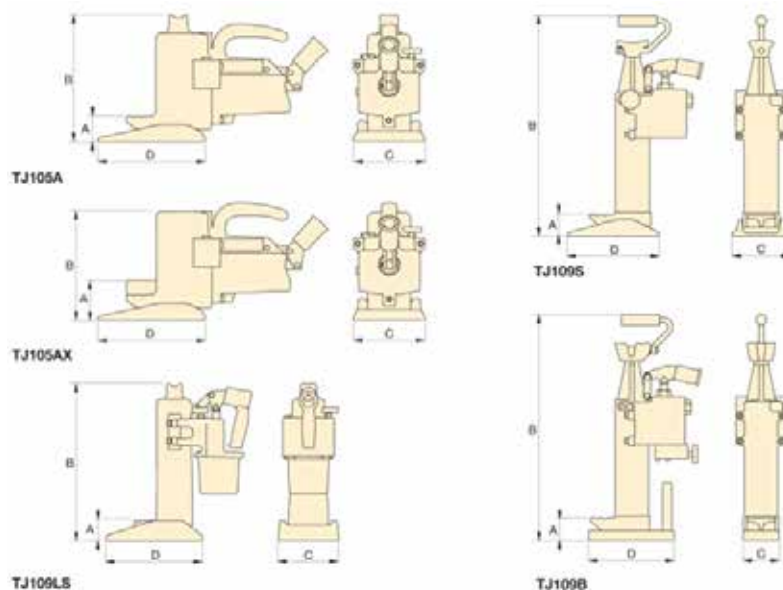
TJ109S

TJ109LS Part No. **1120173**

Specifications

TJ109S Part No. **1120301**

Model No.	Part No.	Capacity	Stroke	Minimum Height		Base Area		Maximum Handle Effort	Weight
				Toe A (in)	Cap B	C	D		
TJ105A	1120840	10 t	127 mm	51 mm	282 mm	152 mm	229 mm	41 kg	17 kg
TJ105LS	1121293	10 t	127 mm	84 mm	231 mm	152 mm	229 mm	41kg	18 kg
TJ109LS	1120173	10 t	127 mm	51 mm	394 mm	152 mm	229 mm	41 kg	19 kg
TJ109S	1120301	10 t	127 mm	57 mm	516 mm	152 mm	229 mm	41 kg	26 kg
TJ109B		10 t	127 mm	57 mm	516 mm	95 mm	229 mm	41 kg	24 kg



Enerpac PR-Series, Pow'r-Riser - Lifting Jacks

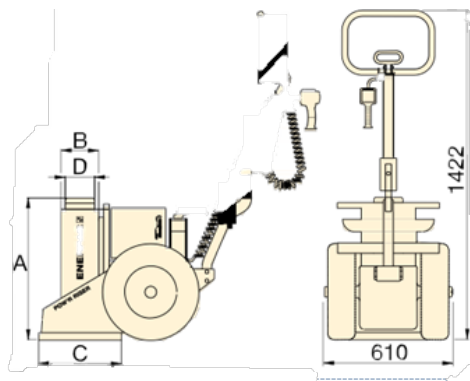
Safe, Efficient, Mobile Load Lifting



- 54, 90, 136 and 181 ton capacities with pneumatic or electric pumps for the toughest jobs
- 102 mm ground clearance for transport over rail and rough terrain
- Double-acting cylinder
- Three position handle provides easy tilt back and transport
- Complies with ASME/ANSI B30.1/CE specifications
- Easy to change external filter minimizes down time
- Rugged, fully enclosed 610 mm wide frame with no exposed fittings or hoses
- SUP-R-STACK™ Extension System allows lifting at all heights

Specifications

Capacity	Stroke	Part No.	Model No. with Air Pump	KG	A	B	C	D	Max. Additional Stack Height using Operation Extension
Ton (kN)	(mm)				(mm)	(mm)	(mm)	(mm)	
54 (533)	686	1120903	PRAMA06027L	272	940	162	356	102	279
90 (889)	406	1120904	PRASA10016L	231	660	178	457	102	533**
90 (889)	686	1120905	PRASA10027L	272	940	178	457	102	279



For power source, the following characters should be inserted in the 5th space of the model number.

Ordering Example:

Model No. PREME06014L is a 356 mm stroke, 54 ton model, with a manual valve and a 230 VAC, 1-ph, 50 Hz electric motor.

- A Air Pump, 1416 l/min air consumption at 5,5 bar
- B 115 VAC, 1ph. 50-60 Hz, 20 A
- E 208-240 VAC, 1-ph., 50-60 Hz, Euro Plug, 10 A
- I 208-240 VAC, 1-ph., 50-60 Hz, USA Plug, 10 A
- G ¹⁾ 208-240 VAC, 3-ph., 50-60 Hz
- W ¹⁾ 380-415 VAC, 3-ph., 50-60 Hz
- J ¹⁾ 440-480 VAC, 3-ph., 50-60 Hz
- R ¹⁾ 575 VAC, 3-ph., 50-60 Hz.

¹⁾ Not available for 54 ton capacity.

Options

Sup-R-Stack

Extension

Spacer

Locking U-Ring

Swivel Load Saddle



Stanley Hydraulic Track Jack

RAILROAD TOOLS



Part No. **STTJ101**

Specifications

Stoke (total lift)	22.6 cm
Amount of travel per Pump Stroke	3.8 mm
Lifting Capacity	9,072 kg
Weight	19.7 kg
Operating Pressure	500 bar
Maximum Handle Effort at Full Load	334 N
Maximum Toe Height	47.6 mm
Overall Collapsed Height	36.8 cm
Base Width (standard version)	15.2 cm
Base Width (narrow version)	11.4 cm
Base Length	27.9 cm

The Stanley **TJ10** Track Jack offers the latest in safety improvements to reduce back and operator injuries. The jack boasts the lightest weight of any hydraulic track jack in its class at 43.5 lbs / 19.7 kg. The jack is available in four different models including the narrow base bridge version and the remote pump model, to suit all of your track jack applications. The **TJ10** offers many features not found on competitive models.

Features

- Fixed, in-line, padded carrying handle makes it even easier to carry.
- Lowest pump handle effort in the market place – only requires 75 lbs / 334 N.
- 10 tons of lifting force
- Low profile for superior stability
- Lowest toe profile height of only 1.875 in / 47.6 mm for easy positioning under the base of the rail.
- Indexed toe eliminates swivel and provides safe stable platform
- Convertible from integral pump to remote pump applications
- Internal reservoir bladder allows operation in any position
- Spring return allows the unloaded jack to return to the retracted position.



Part Number - **STTJ101**

Zwicky 20t Toe Jack – (Type C) Model No. 1527

The F1527 has a capacity of 20 tonnes on the head and comes fitted with an overload safety valve and is tested to 25% over its rated capacity. The Jack is designed for use on switches and crossings and is obstructionless for rails of 42kg/m and over.

Specifications

Safe Working Load	20t on head 15t on toe
--------------------------	---------------------------

Closed Height	343 mm head 191 mm toe
----------------------	---------------------------

Toe to Head	152 mm
--------------------	--------

Lifting Stroke	110 mm
-----------------------	--------

Weight of Jack	36 KG
-----------------------	-------

Part No.	1120886
-----------------	---------



Part No. **1120886**

Zwicky 10t Pan Jack – (Type D) Model No. F1054



Part No. **1120930**

The F1054 Pan Jack is placed under the rail without removal of the ballast. Despite its impressively low height of just 95 mm, the F1054 is capable of 101 mm of lift thanks to its telescopic hydraulic ram.

Specifications

Safe Working Load	10t
--------------------------	-----

Closed Height	95 mm
----------------------	-------

Toe to Head	196 mm
--------------------	--------

Lifting Stroke	101 mm
-----------------------	--------

Weight of Jack	16.5 KG
-----------------------	---------

Part No.	1120930
-----------------	---------

Other Enerpac Solutions

Cordless Hydraulic Pump

*Performance of a powered pump
Portability of a Hand Pump*

Specifications

Reservoir Capacity	1-2 litres
Flow at Rates Pressure	0.25 l/min.
Maximum Operating Pressure	700 bar



Double Acting Pump Part No. **1121014-D**

1.8m Hose Part No. **1121031** / 3.0m Hose Part No. **1121032**

Remote Lifting Jacks Kit (package includes 2x Track Jacks, 2x 3m and 1x 1.8m hoses, Cordless Pump & 2x Port Manifold) Part No. **1121050**

Extra Battery for Pump Part No. **1121033**



Part No. **1121014**

Features

- G2535L Gauge – Minimises risk of overloading and ensures long dependable service being cordless.
- Battery Packs contain no cadmium, so they are environmentally friendly.
- 28 – Volt Battery - the XC – 28V with Lithium-Ion technology for a maximum battery performance (Milwaukee branded battery).
- Battery Charger – 1 hour quick charge.

Hydraulic Vertical Lifting Wedge

Specifications

LW Series	
Maximum Lifting Force	16 ton
Lifting Stroke	21 mm
Tip Clearance / Maximum Spread	10mm / 81,5mm
Maximum Operating Pressure	700 bar



Part No. **1121018**

Hydraulic Wedge and Spread Cylinders



Part No. **1121016**

The Wr5 Has A Capacity Of 1t, For Use In Confined Work Areas.

Specifications

WR-5 Series

Capacity	0,75 – 1,50 ton
Tip Clearance	12,8 – 35 mm
Maximum Spread	94 – 292 mm
Maximum Operating Pressure	700 bar
Weight	2.3kg

Lifting Underground Rail Cars Remotely

Convenient Kit Includes Jack, Hand Pump, And 2x Hoses To Lift Heavy Loads From A Safe Distance. Part No. **1121017**

Replaces mechanical and self-contained hydraulic jacks.

Remote Lifting Jacks Kit with battery operated pump (package includes 2x Track Jacks, 2x 3m and 1x 1.8m hoses, Cordless Pump & 2x Port Manifold) Part No. **1121050**



Underground Rail Alignment



Part No. **1121015**

Rail Alignment Tool Easily And Safely Realigns Underground Rail.

Helps to maintain gauge and rail alignment to decrease potential derailments and thereby increase productivity.

Nut Splitter



Part No. **1121052**

Package includes hand pump, nut splitter, gauge, gauge adaptor, couplers and hose (optional battery pump).

Trackpack

Trackpack-FP-143

The Trackpack is a complete hydraulic power unit with boom arm, designed to allow the use of multiple hydraulic work heads without the need for numerous power supplies. A quick change boom allows an easy change over from one head to another, with adjustable counterbalance positioning so the weight on the operator handles never exceeds 3-5kg. Power source is from either Honda Petrol or Yanmar Diesel engines. All electric start machines have a night light option. All work heads come with Emergency Stops and hydraulic hose covers as standard.



Above: Honda Trackpack with Electric Start Option

	143-YE	143-YE-UK	143-HE
Engine - HP	7	7	13
Dimensions (mm)	2050 x 600 x 520	2050 x 600 x 520	2050 x 600 x 520
Weight (wet)	115kg	115kg	115kg
Pressure (max)	182.5bar / 2650psi	182.5bar / 2650psi	182.5bar / 2650psi
Pump Flow	28L/min	28L/min	30L/min
Fuel Type	Diesel	Diesel	Petrol
Battery	12V	12V	12V
Hydraulic Oil	ISO68	ISO68	ISO68
Hydraulic Hose Connection Size	½"	½"	½"
Pressure Settings:			
Pressure to Cylinder (Sequence Valve in Manifold)	27.6bar / 400psi	27.6bar / 400psi	27.6bar / 400psi
Pressure to Cylinder (Pressure Reducing Valve in Manifold)	34.5bar / 500psi	34.5bar / 500psi	34.5bar / 500psi
System Pressure Relief	193bar / 2800psi	193bar / 2800psi	193bar / 2800psi
Exhaust System	Purifier and Muffler		

Features

- Safety steel roll bar
- Patented oil cooler
- Choice of Honda petrol or Yanmar Diesel engine
- Hydraulic Brake lift supply for braked trolley
- Quick change boom mount, change hydraulic snap connectors on hoses
- Emergency Stops and hydraulic hose covers
- Diesel Engine purifier available

Braking Retrofit Kits Available For Most Older Models

Trackpack Removable Hydraulic Heads

The Trackpack system can be coupled to any of the hydraulic work heads displayed on this page. Changing from one work head to another requires only uncoupling the electrical and hydraulic connectors, sliding the quick change boom end from the Trackpack and adjusting the boom pivot point.

Trackpack Heads-

Model	108-TP	143-BZ	155-AO	156-EDS	163-1	164-TPE	186-TP	186-EYE	190-TP
Flow (L/min)	32.5	30	25	25	30	25	30	30	30
Pressure (psi) max	2,650	2,650	2,000	2,800	2,500	2,500	2,800	1,500	2,700
Weight (kg) wet	41	45	46	82	40	90	120	108	106
Length (mm)	500	450	1,100	1,500	800	800	1,600	1,600	1,100
Width (mm)	400	400	630	720	690	740	740	740	740
Height (mm)	1,000	1,000	141	910	970	1,060	1,060	1,000	1,000

Work Head Options

Spike Puller

- Part No. FP-108-TP Sliding Leg Housing
- Part No. FP-108-TPF Swivel Foot
- Dual Trigger control
- Fast cycle time
- 80kN pulling force
- Lock and dog spikes
- Emergency stop



Spike Driver

- Part No. FP-143-BZ
- Anti-vibration handles
- Extended foot
- On/off valve for increased control through feathering
- Emergency stop

Screw Head

- Part No. FP-163-1
- Fully adjustable torque
- Rotation speed up to 120rpm
- Ajax / coach screw and other uni drives available
- Dual trigger operation for forward & reverse
- Emergency stop

